

Technical specification sheet

Cutter | **GCU 5030 CL EVO (excl. battery)**

Specifications

article number		150.052.056
model		GCU 5030 CL EVO (excl. battery)
short description		Cutter
max. working pressure	bar/Mpa	720 / 72
max. cutting opening	mm	170
theoretical cutting force	kN/t	579 / 59
protection rate		IP54
sound emission @ 1m/3.25ft	dB(A)	79
sound emission @ 4m/13ft	dB(A)	70
hydraulic oil type		ISO-L HV VG 15/22
NCT		✓
weight, ready for use	kg	15.5
temperature range	°C	-20 + 55
weight excl. battery	kg	14.5
dimensions (AxBxC)	mm	825 x 275 x 188
round bar (S235 acc. to EN 13204)	mm	31
EN 13204 compliant		Yes
EN 13204 classification		BC150F-15.5
EN 13204, cutting capacity		1H 2G 3G 4F 5G
NFPA 1936 compliant		Yes
NFPA 1936, cutting capacity		A6 B5 C6 D6 E6

Safety factors / tests

hydraulic safety factor		2:1
endurance test tool		1000 cycles of biting in material that cannot be cut
endurance test dead man's handle		6000 cycles

Standard supplied with

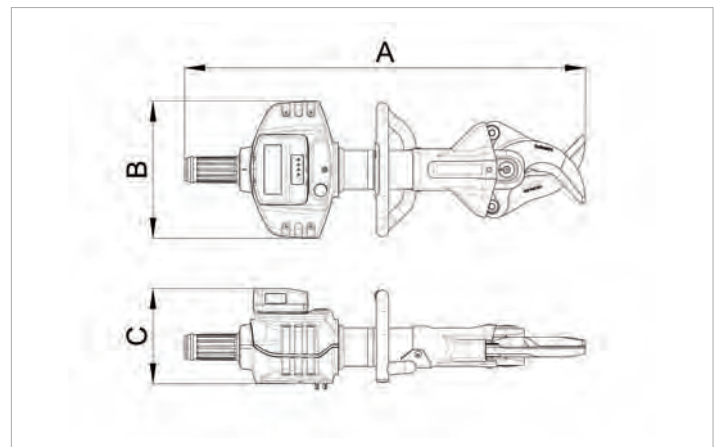
- Carrying handle with integrated LED lighting
- i-Bolt Technology

Required articles

Greenline Battery BPA283		150.005.823
Greenline Battery BPA285		150.006.208
Greenline Battery Charger BCH1		150.182.208
Greenline Battery Charger BCH2		150.182.209
Greenline Battery Charger BCH3		150.182.286

Accessories

Mains Power Connector BMC1		150.182.206
Mains Power Connector BMC2		150.182.207
Carrying Strap		150.182.249
Battery Pouch		150.182.214



Technical specification sheet
Cutter | GCU 5030 i CL EVO (excl. battery)
Specifications

article number		150.052.057
model		GCU 5030 i CL EVO (excl. battery)
short description		Cutter
max. working pressure	bar/Mpa	720 / 72
max. cutting opening	mm	170
theoretical cutting force	kN/t	549 / 56
protection rate		IP54
sound emission @ 1m/3.25ft	dB(A)	79
sound emission @ 4m/13ft	dB(A)	70
hydraulic oil type		ISO-L HV VG 15/22
NCT		✓
weight, ready for use	kg	15.5
temperature range	°C	-20 + 55
weight excl. battery	kg	14.5
dimensions (AxBxC)	mm	823 x 277 x 252
round bar (S235 acc. to EN 13204)	mm	31
EN 13204 compliant		Yes
EN 13204 classification		BC150F-15.5
EN 13204, cutting capacity		1H 2G 3G 4F 5G
NFPA 1936 compliant		Yes
NFPA 1936, cutting capacity		A6 B5 C6 D6 E6

Safety factors / tests

hydraulic safety factor		2:1
endurance test tool		1000 cycles of biting in material that cannot be cut
endurance test dead man's handle		6000 cycles

Standard supplied with

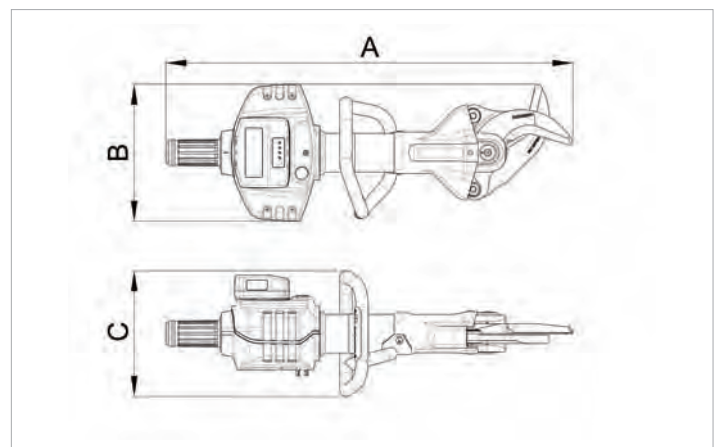
- Carrying handle with integrated LED lighting
- i-Bolt Technology

Required articles

Greenline Battery BPA283		150.005.823
Greenline Battery BPA285		150.006.208
Greenline Battery Charger BCH1		150.182.208
Greenline Battery Charger BCH2		150.182.209
Greenline Battery Charger BCH3		150.182.286

Accessories

Mains Power Connector BMC1		150.182.206
Mains Power Connector BMC2		150.182.207
Carrying Strap		150.182.249
Battery Pouch		150.182.214



Technical specification sheet

Cutter | **GCU 5040 EVO (excl. battery)**

Specifications

article number		150.052.051
model		GCU 5040 EVO (excl. battery)
short description		Cutter
max. working pressure	bar/Mpa	720 / 72
max. cutting opening	mm	170
theoretical cutting force	kN/t	794 / 81
protection rate		IP54
sound emission @ 1m/3.25ft	dB(A)	79
sound emission @ 4m/13ft	dB(A)	70
hydraulic oil type		ISO-L HV VG 15/22
NCT		✓
weight, ready for use	kg	19.2
temperature range	°C	-20 + 55
weight excl. battery	kg	18.2
dimensions (AxBxC)	mm	844 x 277 x 188
round bar (S235 acc. to EN 13204)	mm	36
EN 13204 compliant		Yes
EN 13204 classification		BC165I-19.2
EN 13204, cutting capacity		1I 2I 3I 4J 5J
NFPA 1936 compliant		Yes
NFPA 1936, cutting capacity		A7 B7 C6 D7 E8

Safety factors / tests

hydraulic safety factor	2:1
endurance test tool	1000 cycles of biting in material that cannot be cut
endurance test dead man's handle	6000 cycles

Standard supplied with

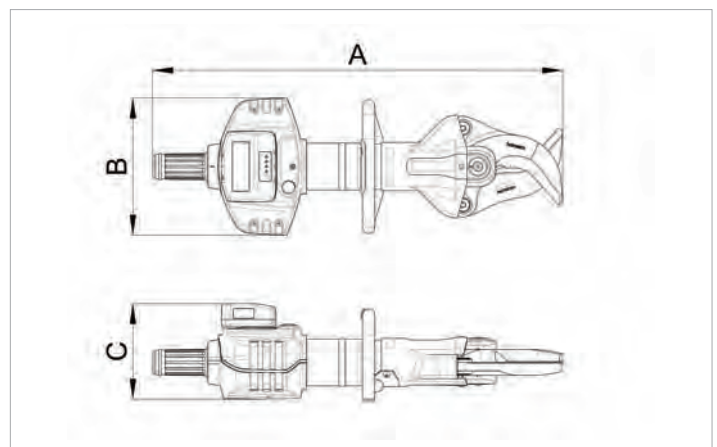
- Carrying handle with integrated LED lighting
- i-Bolt Technology

Required articles

Greenline Battery BPA283	150.005.823
Greenline Battery BPA285	150.006.208
Greenline Battery Charger BCH1	150.182.208
Greenline Battery Charger BCH2	150.182.209
Greenline Battery Charger BCH3	150.182.286

Accessories

Mains Power Connector BMC1	150.182.206
Mains Power Connector BMC2	150.182.207
Carrying Strap	150.182.249
Battery Pouch	150.182.214



Technical specification sheet

Cutter | **GCU 5040 i EVO (excl. battery)**

Specifications

article number		150.052.059
model		GCU 5040 i EVO (excl. battery)
short description		Cutter
max. working pressure	bar/Mpa	720 / 72
max. cutting opening	mm	170
theoretical cutting force	kN/t	764 / 77.9
protection rate		IP54
sound emission @ 1m/3.25ft	dB(A)	79
sound emission @ 4m/13ft	dB(A)	70
hydraulic oil type		ISO-L HV VG 15/22
NCT		✓
weight, ready for use	kg	19.3
temperature range	°C	-20 + 55
weight excl. battery	kg	18.3
dimensions (AxBxC)	mm	843 x 301 x 263
round bar (S235 acc. to EN 13204)	mm	36
EN 13204 compliant		Yes
EN 13204 classification		BC165I-19.3
EN 13204, cutting capacity		1I 2I 3I 4J 5J
NFPA 1936 compliant		Yes
NFPA 1936, cutting capacity		A7 B7 C6 D7 E8

Safety factors / tests

hydraulic safety factor		2:1
endurance test tool		1000 cycles of biting in material that cannot be cut
endurance test dead man's handle		6000 cycles

Standard supplied with

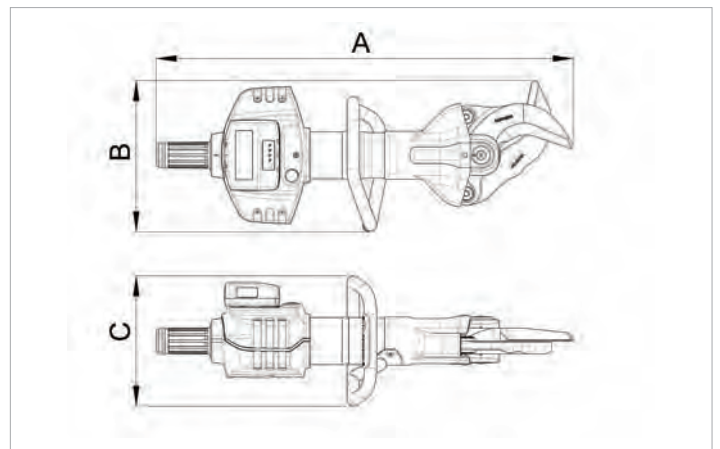
- Carrying handle with integrated LED lighting
- i-Bolt Technology

Required articles

Greenline Battery BPA283		150.005.823
Greenline Battery BPA285		150.006.208
Greenline Battery Charger BCH1		150.182.208
Greenline Battery Charger BCH2		150.182.209
Greenline Battery Charger BCH3		150.182.286

Accessories

Mains Power Connector BMC1		150.182.206
Mains Power Connector BMC2		150.182.207
Carrying Strap		150.182.249
Battery Pouch		150.182.214



Technical specification sheet

Cutter | **GCU 5050 EVO (excl. battery)**

Specifications

article number		150.052.070
model		GCU 5050 EVO (excl. battery)
short description		Cutter
max. working pressure	bar/Mpa	720 / 72
max. cutting opening	mm	182
theoretical cutting force	kN/t	1412 / 144
protection rate		IP54
sound emission @ 1m/3.25ft	dB(A)	79
sound emission @ 4m/13ft	dB(A)	70
hydraulic oil type		ISO-L HV VG 15/22
NCT		✓
weight, ready for use	kg	21.6
temperature range	°C	-20 + 55
weight excl. battery	kg	20.6
dimensions (AxBxC)	mm	887 x 277 x 196
round bar (S235 acc. to EN 13204)	mm	41
EN 13204 compliant		Yes
EN 13204 classification		BC165K-21.6
EN 13204, cutting capacity		1K 2K 3K 4K 5K
NFPA 1936 compliant		Yes
NFPA 1936, cutting capacity		A8 B8 C7 D9 E9

Safety factors / tests

hydraulic safety factor		2:1
endurance test tool		1000 cycles of biting in material that cannot be cut
endurance test dead man's handle		6000 cycles

Standard supplied with

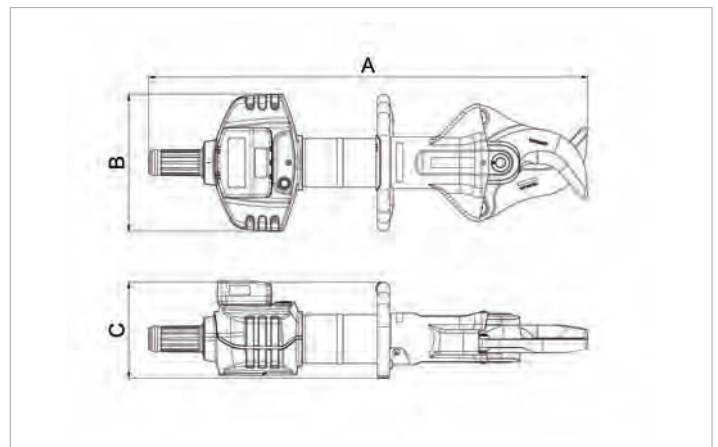
- Carrying handle with integrated LED lighting
- i-Bolt Technology

Required articles

Greenline Battery BPA283		150.005.823
Greenline Battery BPA285		150.006.208
Greenline Battery Charger BCH1		150.182.208
Greenline Battery Charger BCH2		150.182.209
Greenline Battery Charger BCH3		150.182.286

Accessories

Maintenance Set CU 5050 (i)		150.014.544
Mains Power Connector BMC1		150.182.206
Mains Power Connector BMC2		150.182.207
Carrying Strap		150.182.249
Battery Pouch		150.182.214



Technical specification sheet

Cutter | **GCU 5050 EVO (excl. battery)**

Specifications

article number		150.052.070
model		GCU 5050 EVO (excl. battery)
short description		Cutter
max. working pressure	bar/Mpa	720 / 72
max. cutting opening	mm	182
theoretical cutting force	kN/t	1412 / 144
protection rate		IP54
sound emission @ 1m/3.25ft	dB(A)	79
sound emission @ 4m/13ft	dB(A)	70
hydraulic oil type		ISO-L HV VG 15/22
NCT		✓
weight, ready for use	kg	21.6
temperature range	°C	-20 + 55
weight excl. battery	kg	20.6
dimensions (AxBxC)	mm	887 x 277 x 196
round bar (S235 acc. to EN 13204)	mm	41
EN 13204 compliant		Yes
EN 13204 classification		BC165K-21.6
EN 13204, cutting capacity		1K 2K 3K 4K 5K
NFPA 1936 compliant		Yes
NFPA 1936, cutting capacity		A8 B8 C7 D9 E9

Safety factors / tests

hydraulic safety factor		2:1
endurance test tool		1000 cycles of biting in material that cannot be cut
endurance test dead man's handle		6000 cycles

Standard supplied with

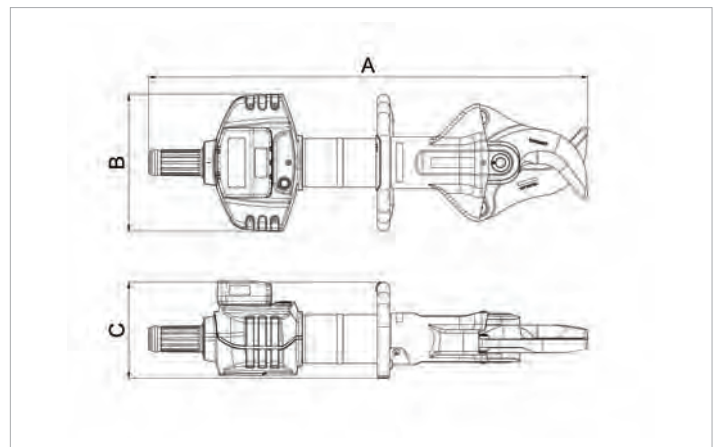
- Carrying handle with integrated LED lighting
- i-Bolt Technology

Required articles

Greenline Battery BPA283		150.005.823
Greenline Battery BPA285		150.006.208
Greenline Battery Charger BCH1		150.182.208
Greenline Battery Charger BCH2		150.182.209
Greenline Battery Charger BCH3		150.182.286

Accessories

Maintenance Set CU 5050 (i)		150.014.544
Mains Power Connector BMC1		150.182.206
Mains Power Connector BMC2		150.182.207
Carrying Strap		150.182.249
Battery Pouch		150.182.214



Technical specification sheet

Cutter | **GCU 5050 i EVO (excl. battery)**

Specifications		
article number		150.052.071
model		GCU 5050 i EVO (excl. battery)
short description		Cutter
max. working pressure	bar/Mpa	720 / 72
max. cutting opening	mm	182
theoretical cutting force	kN/t	1389 / 141.6
protection rate		IP54
sound emission @ 1m/3.25ft	dB(A)	79
sound emission @ 4m/13ft	dB(A)	70
hydraulic oil type		ISO-L HV VG 15/22
NCT		✓
weight, ready for use	kg	21.9
temperature range	°C	-20 + 55
weight excl. battery	kg	20.9
dimensions (AxBxC)	mm	898 x 298 x 268
round bar (S235 acc. to EN 13204)	mm	41
EN 13204 compliant		Yes
EN 13204 classification		BC165K-21.9
EN 13204, cutting capacity		1K 2K 3K 4K 5K
NFPA 1936 compliant		Yes
NFPA 1936, cutting capacity		A8 B8 C7 D9 E9

Safety factors / tests

hydraulic safety factor	2:1
endurance test tool	1000 cycles of biting in material that cannot be cut
endurance test dead man's handle	6000 cycles

Standard supplied with

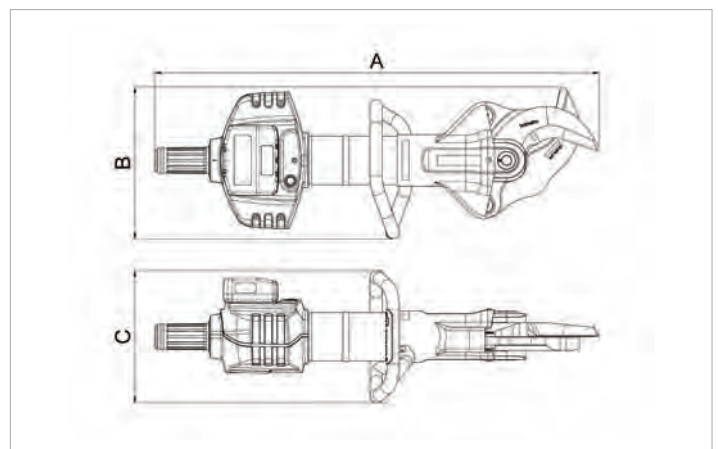
- Carrying handle with integrated LED lighting
- i-Bolt Technology

Required articles

Greenline Battery BPA283	150.005.823
Greenline Battery BPA285	150.006.208
Greenline Battery Charger BCH1	150.182.208
Greenline Battery Charger BCH2	150.182.209
Greenline Battery Charger BCH3	150.182.286

Accessories

Maintenance Set CU 5050 (i)	150.014.544
Mains Power Connector BMC1	150.182.206
Mains Power Connector BMC2	150.182.207
Carrying Strap	150.182.249
Battery Pouch	150.182.214



Technical specification sheet

Cutter | **GCU 5060 EVO (excl. battery)**

Specifications

article number	150.052.060	
model	GCU 5060 EVO (excl. battery)	
short description	Cutter	
max. working pressure	bar/Mpa	720 / 72
max. cutting opening	mm	205
theoretical cutting force	kN/t	1793 / 182.8
protection rate	IP54	
sound emission @ 1m/3.25ft	dB(A)	79
sound emission @ 4m/13ft	dB(A)	70
hydraulic oil type	ISO-L HV VG 15/22	
NCT	✓	
weight, ready for use	kg	25.6
temperature range	°C	-20 + 55
weight excl. battery	kg	24.6
dimensions (AxBxC)	mm	945 x 278 x 200
round bar (S235 acc. to EN 13204)	mm	47
EN 13204 compliant	Yes	
EN 13204 classification	CC205K-25.6	
EN 13204, cutting capacity	1K 2K 3K 4K 5K	
NFPA 1936 compliant	Yes	
NFPA 1936, cutting capacity	A9 B9 C9 D9 E9	

Safety factors / tests

hydraulic safety factor	2:1
endurance test tool	1000 cycles of biting in material that cannot be cut
endurance test dead man's handle	6000 cycles

Standard supplied with

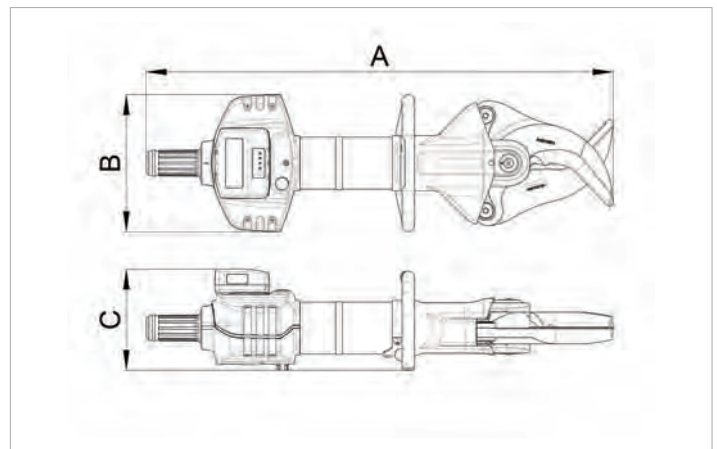
- Carrying handle with integrated LED lighting
- i-Bolt Technology

Required articles

Greenline Battery BPA283	150.005.823
Greenline Battery BPA285	150.006.208
Greenline Battery Charger BCH1	150.182.208
Greenline Battery Charger BCH2	150.182.209
Greenline Battery Charger BCH3	150.182.286

Accessories

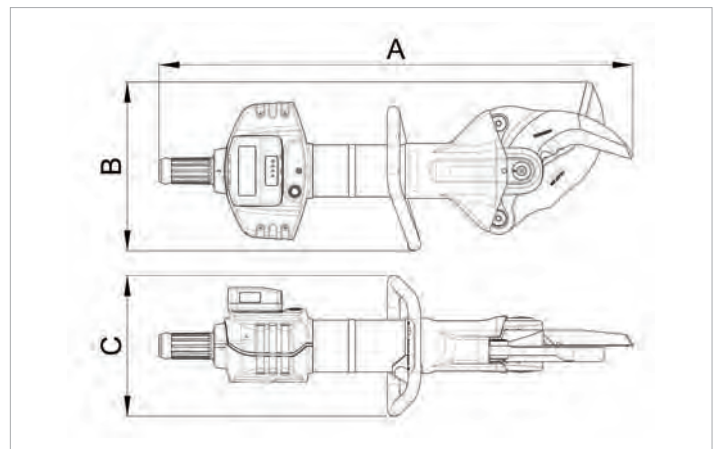
Mains Power Connector BMC1	150.182.206
Mains Power Connector BMC2	150.182.207
Carrying Strap	150.182.249
Battery Pouch	150.182.214



Technical specification sheet

Cutter | GCU 5060 i EVO (excl. battery)

Specifications	
article number	150.052.061
model	GCU 5060 i EVO (excl. battery)
short description	Cutter
max. working pressure	bar/Mpa 720 / 72
max. cutting opening	mm 205
theoretical cutting force	kN/t 1765 / 180
protection rate	IP54
sound emission @ 1m/3.25ft	dB(A) 79
sound emission @ 4m/13ft	dB(A) 70
hydraulic oil type	ISO-L HV VG 15/22
NCT	✓
weight, ready for use	kg 25.8
temperature range	°C -20 + 55
weight excl. battery	kg 24.8
dimensions (AxBxC)	mm 960 x 342 x 285
round bar (S235 acc. to EN 13204)	mm 47
EN 13204 compliant	Yes
EN 13204 classification	CC205K-25.8
EN 13204, cutting capacity	1K 2K 3K 4K 5K
NFPA 1936 compliant	Yes
NFPA 1936, cutting capacity	A9 B9 C9 D9 E9



Safety factors / tests	
hydraulic safety factor	2:1
endurance test tool	1000 cycles of biting in material that cannot be cut
endurance test dead man's handle	6000 cycles

Standard supplied with	
<ul style="list-style-type: none"> Carrying handle with integrated LED lighting i-Bolt Technology 	

Required articles	
Greenline Battery BPA283	150.005.823
Greenline Battery BPA285	150.006.208
Greenline Battery Charger BCH1	150.182.208
Greenline Battery Charger BCH2	150.182.209
Greenline Battery Charger BCH3	150.182.286

Accessories	
Mains Power Connector BMC1	150.182.206
Mains Power Connector BMC2	150.182.207
Carrying Strap	150.182.249
Battery Pouch	150.182.214